

## KT 100 KISTOCK Temperature datalogger



With or without display

- Measure up to 2 parameters
- LCD display
- With or without external input
- Fast data download (1,000 values/second)
- Upt to 12,000 measurement points
- 2 configurable setpoint alarms
- Small dimensions
- Magnetic mounting
- IP 67 or IP 40 housing and Elastomer protection pads

### Technical features

Units displayed.....°C, °F, mV, V, mA, A  
 Resolution.....0.1°C, 0.1°F  
 1mV, 0.001V, 0.001mA, 0.1A  
 External inputs.....1 Jack connector (2.5 stereo)  
 Setpoint alarms.....2 setpoint alarms on each channel  
 Frequency of measurement... from 1s to 24h  
 Working temperature.....from -40 to +70°C  
 Storage temperature..... from -40 to +85°C  
 Battery life.....5 years\*  
 (\*) on the basis of 1 measurement each 15 minutes at 20°C

#### Temperature probe

Type of sensor.....NTC  
 Measuring range.....-40 to +70°C (internal sensor)  
 -40 to +120°C (remote probe / optional)  
 Accuracy\*.....internal sensor  
 ±0.4°C (-20°C<T<+70°C)  
 ±0.8°C beyond  
remote probe  
 ±0.3°C (-25°C<T<+70°C)  
 ±0.5°C beyond

See technical datasheet « Measuring probe and cables for Class 100/200 KISTOCK dataloggers ».

#### Current input cable (optional)

Measuring range..... 0/4-20mA  
 Accuracy ±0,2%mesure±0,1µA

#### Voltage input cable (optional)

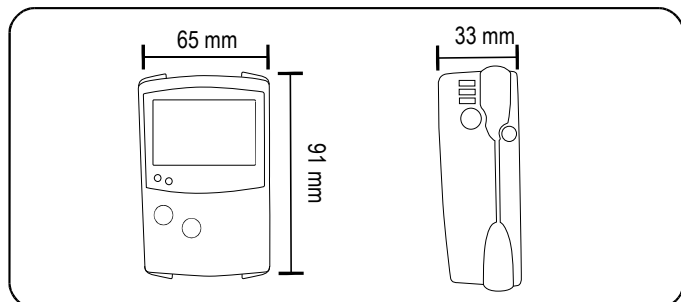
• Measuring range.... 0-2.5V  
 Accuracy ±0,2%mesure±0,1mV  
 • Measuring range.... 0-10V  
 Accuracy ±0,2%mesure±0,1mV

#### Ammeter clamp (optional)

Measuring range..... 0-600A  
 Accuracy..... ±1 to 2.5% of the value displayed  
 ..... (according to measuring range)

\*All accuracies indicated in this document were stated in laboratory conditions and can be guaranteed for measurements carried out in the same conditions, or carried out with calibration compensation.

### Dimensions



### References

Part number	Internal sensor	Display	External inputs	Protection
KT-100-IN	Yes	No	0	IP 67
KT-100-IO	Yes	1-line	0	IP 67
KT-100-AN	Yes	No	1	IP 40
KT-100-AO	Yes	1-line	1	IP 40

### Features of housing

Dimensions.....91 x 65 x 33 mm  
 Weight.....85g  
 Display.....1-line LCD  
 Dimensions of screen : 45 x 17 mm  
 Control.....2 keys (« SELECT » and « OK »)  
 Material.....Compatible with food industry environment  
 Housing made of Polycarbonate  
 Sides and caps made of Elastomer  
 Protection.....IP 67 or IP 40  
 PC communication... 1 input for Jack connector (male 3.5)  
 Electronics.....Digital electronics  
 Lacquer protected circuit board  
 Meets RoHS standards  
 Battery power supply..Lithium 3.6V 1/2 AA  
 Visual alarm.....2 electroluminescent diodes (green, red)  
 Environment.....Air and neutral gases

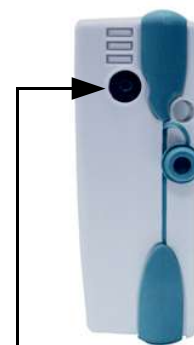
### Connections

#### External inputs KT 100 A



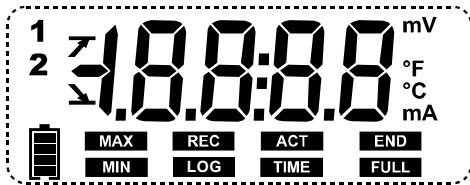
Jack connectors (2.5)  
Probes inputs  
 - NTC temperature  
 - current input cable  
 - voltage input cable  
 - ammeter clamp

#### PC connection input



Jack connector (3.5)  
 Input for KISTOCK-PC software

## Screen



°C..... Temperature in degrees Celsius  
 °F..... Temperature in degrees Fahrenheit  
 V or mV..... Voltage expressed in V or mV  
 A or mA..... Current expressed in A or mA

<b>END</b>	Data set is finished	<b>ACT</b>	Refresh of displayed measurements
<b>REC</b>	One value is being recorded	<b>TIME</b>	Display of measurement and recording intervals
<b>LOG</b>	Flashing: data set has not started yet Constant : data set is in progress		Status of battery life: 5 levels (4 blocks + empty battery) Flashes when only one block is remaining
<b>FULL</b>	Slow Flashing: data set is taking 80-90% of storage capacity Fast Flashing: data set is taking 90-100% of storage capacity Constant: storage capacity filled up	<b>MIN</b>	The values displayed correspond to maximum and minimum values of the channels
<b>12</b>	Channel no. which is measuring		Alarm action type: rising or falling action

**BAT** flashing on the screen + flashing of LEDs : mean that battery must be changed

**Err** + flashing of the green LED : detection of communication error → Press « **Select** » and « **OK** » keys to reset the instrument.

**Err** + flashing of the red LED : detection measurement error → Press « **Select** » and « **OK** » keys to reset the instrument.

## Recorder functions

### 5 recording modes

KISTOCK can record in 5 different ways :

- « Immediate » mode => to record values according to a predefined interval
- « Minimum », « Maximum » and « Average »=> to record automatically the calculation of minimum, maximum or average of values measured during an interval
- « Monitoring »=> to get an accurate history report during error events to help troubleshooting, without stopping the measurement logging. To proceed this way, you just have to define:
  - a record interval to be used whilst the readings are beyond the setpoints
  - a record interval for the values measured during each reading beyond the setpoints

Furthermore, you can also let your KISTOCK record non-stop (« loop » recording option).

### 4 types of data set start

Once your recording mode has been set, you can launch your data set :

- with a delayed start (with predefined date and time)
- with the software
- with push-button
- with « Online » option. In this case, your data sets are directly sent, saved and displayed on your PC in real time.

### 6 types of data set stop

You can stop your data set :

- according to a date and time (if it was started the same way)
- according to a period
- according to a predefined number of recording points
- once the storage capacity is full
- with « Stop » option of the software
- by holding « OK » key for at least 5s, if this function has been previously activated by the software.

## Measuring probes and cables

Large choice of NTC temperature probes: general use, penetration, ambient, wire, Velcro, with handle...

- Current and voltage input cables
- Ammeter clamps

See technical datasheet « Measuring probes and cables for Class 100/200 KISTOCK dataloggers»)

## KILOG software



### • Configuration and data processing software

KILOG enables you to configure, save and process your data in a very simple way.

- Software .....Ref. *KILOG*
- USB interface.....Ref. *I-KIC2*
- Complete set: .....Ref. *KIC2*  
including KILOG software + 1 USB interface

### • KILOG CFR software

KILOG CFR software is the key tool for users who require traceability, in accordance with 21CFR-Part11 standards. Security and integrity of data are guaranteed: it is not possible to modify or tamper with the data.



- Interface.....Ref. *I-KIC2*
- Complete set: KILOG CFR software + 1 interface... Ref. *KIC2 CFR*



### • KISTOCK-PC interface

This USB cable enables you to connect your KISTOCK to your PC.  
Ref. *I-KIC2*

## Accessories

### • KNT data collector

KNT data collector allows you to collect measurements from one or several KISTOCK directly on-site (500,000 values stored). Data can be displayed and printed from the KNT or downloaded to your PC.

Ref. *KNT 300*



### • Printer for KNT 300 data collector

Ref. *ITP*



### • Secured wall-mounting bracket

KIMO has designed a new proprietary anti-theft system with no padlock. Your system cannot be unlocked or damaged: your installation is fully secured.

Ref. *KAV*



Once your KISTOCK is set on the mounting plate, insert the key to lock the mounting system.

To unlock: insert the key inside the metallic axis, and make ¼ turn.

Remove the key to release the metallic axis. Your KISTOCK is now unlocked.

### • Wire extension for NTC temperature probe

Made of PVC HT, 5m long, with Jack connectors (male and female)

Ref. *KRC 5*

Note: you can connect several extensions together (maximum length 25m).

### • Lace. Ref. *KDC*

### • Lithium ½ AA battery . Ref. *KBL*

## Mounting

KISTOCK can be mounted in different ways; you can also move it or install it very easily.

- Magnetic mounting or wallmounting (see photo)
- Secured mounting (optional, see accessories)



Wallmount system and lace eyelet

Magnetic mounting

## How to change the battery

With 5-year battery life (\*), KISTOCK guarantee long-term measurements.

To change the battery.

- Remove the screw located at the back, with a screw driver
- Remove the front part, along with the old battery.
- Insert the new battery observing the proper polarity.
- Replace the front.
- Tighten the screw.
- Press « Select » and « OK » keys for 2 seconds to refresh battery level.

(\*) on the basis of 1 measurement each 15 minutes at 20°C

## Calibration

KISTOCK dataloggers can be supplied with calibration certificate as an option.

## Warranty period

KISTOCK dataloggers have 1-year guarantee for any manufacturing defect (return to our After-Sales Service required).

[www.kimo.fr](http://www.kimo.fr)

**EXPORT DEPARTMENT**

Tel : + 33. 1. 60. 06. 69. 25 - Fax : + 33. 1. 60. 06. 69. 29

e-mail : [export@kimo.fr](mailto:export@kimo.fr)



Distributed by :