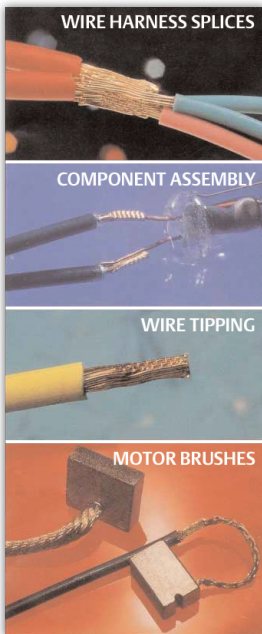




40 kHz Portable Ultrasonic Wire Splicer



The Branson Ultrasplice-40 joins wires quickly and reliably while providing maximum maneuverability. It splices up to 4 #16 AWG or a total of 6mm sq wires in-line, or in a pig tail configuration. Splicing ultrasonically results in a superior electrical connection over crimping, soldering, or resistance welding, and offers savings in power consumption, elimination of consumables, and longer tool life.

EASY TO USE

The Ultrasplice 40's convenient design enables the operator to feed wires easily into the splicing nest. A gathering mechanism positions wires accurately and catches frayed wires to ensure a high quality weld. Typically, a weld is completed in less than one half second. Since ultrasonics does not generate appreciable heat, wires can be handled immediately after splicing.

The Ultrasplice 40 can be readily used for wire tipping (the solidification of the ends

of strands of wires to keep them from splaying). This process is especially useful to prevent unravelling when wires must be plugged into a connector. The wire is placed into the large nest area and the Ultrasplice 40 is activated to collect the strands and weld them into a precise configuration.

The Ultrasplice 40 is easily mounted into an automated wire preparation machine for total automation of the tipping process. Production rates in the automated mode can be as high as 60 parts per minute. The rugged construction of this system and long tool life makes the Ultrasplice 40 the perfect method for wire tipping.

ECONOMICAL

Tool life usually exceeds 100,000 welds. Electrical power consumption with ultrasonics averages only 1/30 of the amount used by resistance welding, and ultrasonic welding eliminates the need for costly clips, solder, and flux.

Metal Welding

TECHNICAL SUPPORT

Every Branson product is backed by our technical staff, who provide our customers with training in operation and maintenance.

ADVANCED PROCESS CONTROL WITH THE TOUCH SCREEN CONTROLLER

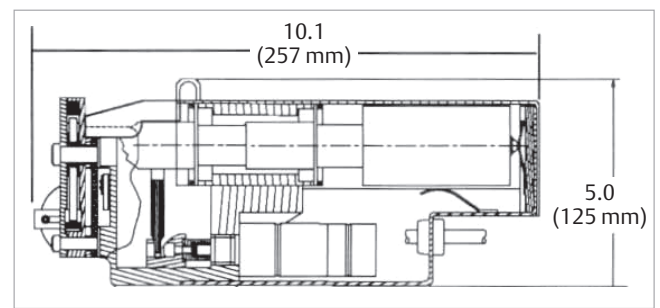
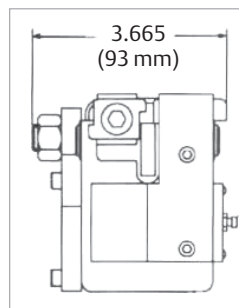
The Branson Touch Screen controller monitors and displays all ultrasonic metal weld parameters to maintain the highest standards in weld quality. It features an advanced microprocessor control that monitors the weld cycle through a power feedback signal. The power in watts applied to the weld is integrated over the weld time to determine the total energy applied. This automatically adjusts the weld cycle to produce perfect quality welds, regardless of part variations.



Touch Screen Controller

Control limits on the Touch Screen controller can be pre-set for weld time and power. If any weld falls outside the preset limits, a signal alerts the operator

to isolate the suspect assembly. A printer port and RS232 communication port are standard to support SPC and ISO 9000 requirements.



	Weight	Height	Width	Length	Requirements
Ultrasplice 40	2.3 kg	125 mm	93 mm	257 mm	Pneumatically actuated- 80 psig clean, dry air.

Electrical requirements are 110 Volts or 200-245 Volts AC, fused at 5 amp 50/60 Hz.

BRANSON

Branson Ultrasonics Corporation
 41 Eagle Road, Danbury, CT 06813-1961
 (203) 796-0400 • Fax: (203) 796-9838
 www.bransonultrasonics.com
 e-mail: info@bransonultrasonics.com

Ultrasplice 40 © Branson Ultrasonics Corporation 2011
 The Emerson logo is a trademark and service mark of Emerson Electric Co.
 Revised and printed in the U.S.A. 10/2011